



HDR100 Series - Navtech Radar

HDR100 Series

MODELS

| HDR100 Models | Indicative Range | Update Rate |
|---------------|------------------|-------------|
| HDR132 | 300 metres | 2 Hz |
| HDR131 | 300 metres | 1 Hz |
| HDR124 | 200 metres | 4 Hz |
| HDR122 | 200 metres | 2 Hz |
| HDR121 | 200 metres | 1 Hz |
| HDR114 | 100 metres | 4 Hz |
| HDR112 | 100 metres | 2 Hz |
| HDR111 | 100 metres | 1 Hz |

SPECIFICATIONS

| Specifications | HDR100 Series |
|---------------------|---------------------------------|
| Operating Frequency | 76 - 77 GHz |
| Operating Range | 5-300m Person 5-300m Vehicle |
| Range Resolution | 0.175m |
| Azimuth Beamwidth | 1.8° |

| Specifications | HDR100 Series |
|--|---|
| Elevation Beamwidth | 1.8° |
| Infill Elevation Beam | Standard |
| Measurement Rate | 400 per rotation |
| Field of View | 360° |
| Update Rate (Rotation Speed) | 1s (1Hz) 0.5s (2Hz) 0.25s (4Hz) |
| Data Connection | 1 Gbps Ethernet |
| Power Consumption | 24 Watts |
| Power Supply | 24 Volts DC or POE+* |
| Weight | 6 Kg |
| Mounting Height | 2-4 metres |
| Safe Working Distance (from radome) | 0m |
| Operating Temperature | -20°C to + 60°C |
| Environmental | UL50/50E IP 67 BS EN 60068-2-52:1996 Test Kb Severity 3 |
| Compliance | CE, UKCA, ACMA, FCC, ISED Marked |
| EMC Directive | 2014/30/EU |
| Low Voltage Directive | 2014/35/EU |
| Radio Equipment Directive | 2014/53/EU |

Specifications

HDR100 Series

Additional Notes

*PoE Power Supply Considerations

Recommended Operating Conditions

DC Supply Voltage: 36 to 57V

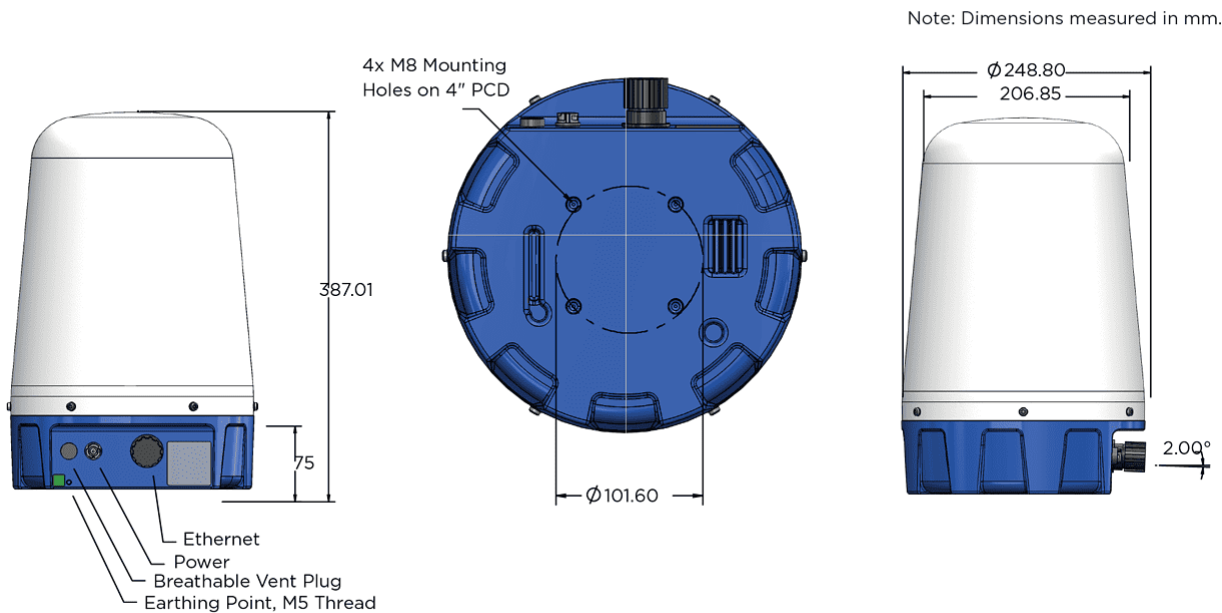
Absolute Maximum Ratings

DC Supply Voltage: -0.3 to 60V

DC Supply Voltage Surge for 1ms: -0.6 to 80V

Exceeding these ratings may cause permanent damage to the product

DIMENSIONS



Navtech Radar

Home Farm, Ardington, Wantage, Oxfordshire, OX12 8PD, UK.

hello@navtechradar.com

+44 (0)1235 832 419

